



Series

HINO 200

JUST LOW, JUST FIT.



GDY231 144ps

GVW 3,600 kg

EURO4



ABS

JUST LOW, JUST FIT.

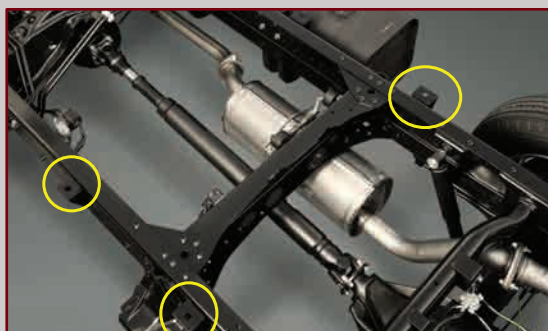
01 LOW HEIGHT

Low body floor height

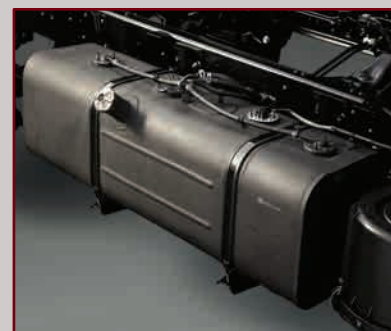
Convenient for easy loading goods and unloading
Access more areas especially restricted maximum height 2.1 metres
Easier for maintenance



Ground to body floor height, h: 880mm
*XZU600 (5t) height: 980mm



Mounting brackets available on chassis frame for direct body mounting



Low fuel tank height for lower body mounting

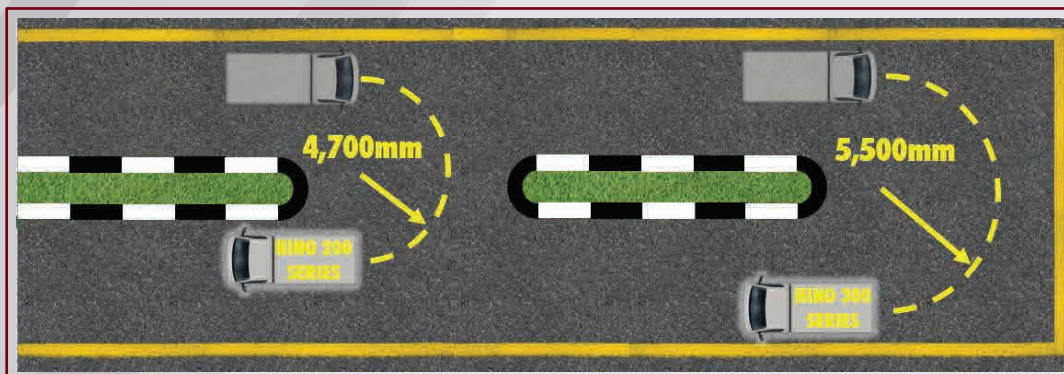
Can access more areas especially shopping malls

Tiltable cabin - easier for maintenance



02 LOW (SMALL) TURNING RADIUS

Better maneuverability at tight corners

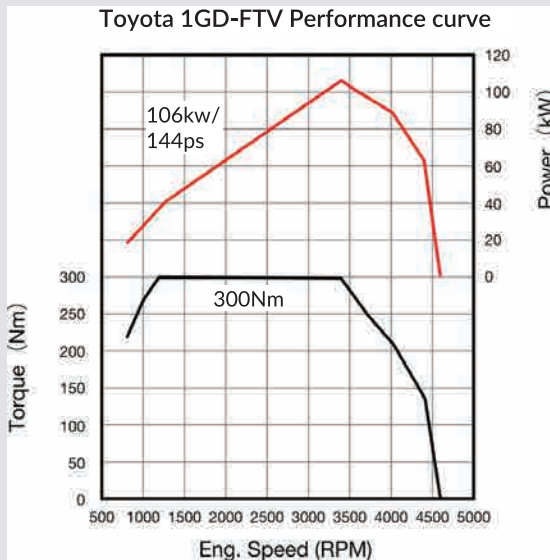


03

LOW NOISE

■ Quiet but powerful engine

Flat torque engine - Easy to achieve maximum torque with good fuel efficiency



EURO4



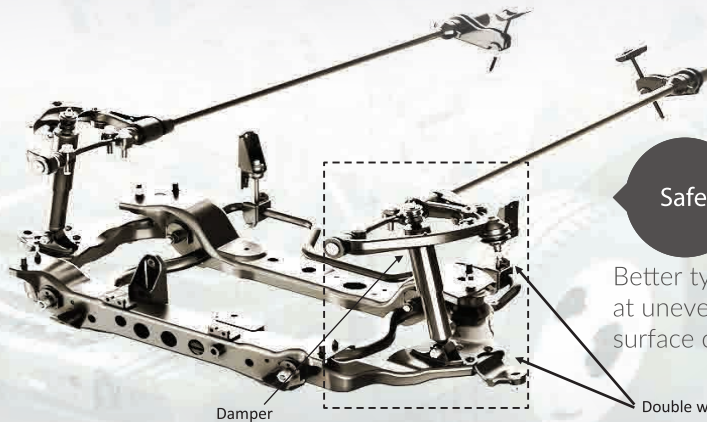
04

LOW VIBRATION

■ Comfortable and safe driving with front independent suspension

Comfort

Better drive comfort than dependent suspension



Safe

Better tyre contact at uneven road surface condition

Damper

Double wishbone structure

05

OTHER FEATURES

■ Functions that provide better control to driver at emergency situations



ANTI LOCK BRAKING SYSTEM

Prevents wheel lock up during emergency braking



VEHICLE STABILITY CONTROL

Ensures vehicle direction = steering direction at all times, especially during sudden swerve

TRC

TRACTION CONTROL

Improves maneuverability and vehicle stability especially during start acceleration on slippery condition

SPECIFICATION

		MODEL	200 Series
ITEM	MODEL CODE		GDY231R-HBMLP3
ENGINE	MODEL		TOYOTA 1GD-FTV
	TYPE		Diesel, turbocharged and intercooled, in-line 4-cylinder, double overhead camshaft, water-cooled
	DISPLACEMENT	cc	2,754
	MAX OUTPUT	PS/rpm	144 / 3,400
	MAX. TORQUE	Nm/rpm	300 / 1,200-3,200
	BORE & STROKE	mm	92 x 103.6
	FUEL INJECTION SYSTEM		Electronic Control Commonrail
	AIR INTAKE SYSTEM		Under cab mounted air intake with air filter
CLUTCH	MAX.ENGINE SPEED	rpm	4,400
	TYPE		Dry single plate with damper springs, hydraulic control
AXLE	DIAMETER	mm	275
	FRONT	Type	Independent
	REAR	Type	Full-floating, single reduction, single speed by hypoid gearings
BRAKE		kg	1,800
		kg	2,300
BRAKE	SERVICE BRAKE TYPE		Hydraulic System with Ventilated Disc for Front Wheels and Dual Two (2) Leading Shoes for Rear Wheels
	SERVICE BRAKE CONTROL		Vacuum Servo Hydraulic, Dual Circuits with ABS and VSC
	PARKING BRAKE TYPE		Mechanical, internal expanding acting on transmission output shaft
SUSPENSION	FRONT	TYPE	Double wishbone, independent torsion bar springs with double acting shock absorbers and stabiliser bar
	REAR	TYPE	Semi-elliptic main and auxiliary leaf springs and rubber rebound bumpers with double acting shock absorbers
FRAME	WIDTH		800
	DIMENSION	HxWxT	160 x 50 x 4.5
CABIN EQUIPMENT	TILTING		Mechanical Type
	STEERING		Telescopic and tilt steering column, rack and pinion power steering
	POWER WINDOW	TYPE	Equipped
	CENTRAL LOCKING		Equipped
WHEELS & TIRES	SEAT BELT		Equipped
	WHEEL TYPE		6 Stud disc wheel
	RIM SIZE		15 x 5J
	TIRE SIZE		195/75R15
ELECTRICAL	TYPE		12V, negative ground
	BATTERIES		12V, 80 Ah
	ALTERNATOR CAPACITY	V - A	12V-100A
FUEL TANK CAPACITY		Liter	80
PERFORMANCE			
G.V.W Rating		kg	3,600
PERFORMANCE	MAX SPEED	km/h	100 (speed limiter)
	GRADEABILITY	Tan %	46.1
TRANSMISSION	MODEL		R451 / 5F-1R
	TYPE		Manual
	GEAR RATIO 1st		4.313
	2nd		2.330
	3rd		1.436
	4th		1.000
	5th		0.838
Reverse		4.220	
REAR AXLE	RATIO		4.100
DIMENSION & MASS			
CHASSIS MASS (with std. tools set & spare tire)	FRONT	kg	1,175
	REAR	kg	520
	TOTAL	kg	1,695
DIMENSION	WHEELBASE	mm	2,545
	OVERALL LENGTH	mm	4,565
	OVERALL HEIGHT	mm	1,990
	OVERALL WIDTH	mm	1,695
	CAB TO REAR AXLE	mm	1,990
	FRONT OVERHANG	mm	960
	REAR OVERHANG	mm	1,015
	Fr FRAME HEIGHT	mm	635
	Rr FRAME HEIGHT	mm	710
	FRONT TREAD	mm	1,440
	REAR TREAD	mm	1,400
TURNING RADIUS	mm	4,700	



HINO MOTORS SALES (MALAYSIA) SDN BHD (187863-U)

Selangor: Lot PT 24, Jalan 223, Section 51A, 46100 Petaling Jaya, Selangor Darul Ehsan, Malaysia. **Tel: (603) 7957 5199 (12 lines) Fax: (603) 7954 3276**
Sarawak: Lot 1076, Block 218, 4th Mile, Penrissen Road, 93250 Kuching, Sarawak, Malaysia. **Tel: (082) 451 611 (5 lines) Fax: (082) 451 993**
Sabah: Miles 4 1/2 Jalan Tuaran, Lot No. 353, Taman Cempaka, Likas, 88450 Kota Kinabalu, Sabah, Malaysia. **Tel: (088) 393 663 Fax: (088) 424 223**

www.hino.com.my



HINO Authorized Dealer: